



# COMPACT™ KETTLE CHARCOAL GRILL

Read owner's guide before using the barbecue.

18½ inch  
(47 cm)

---

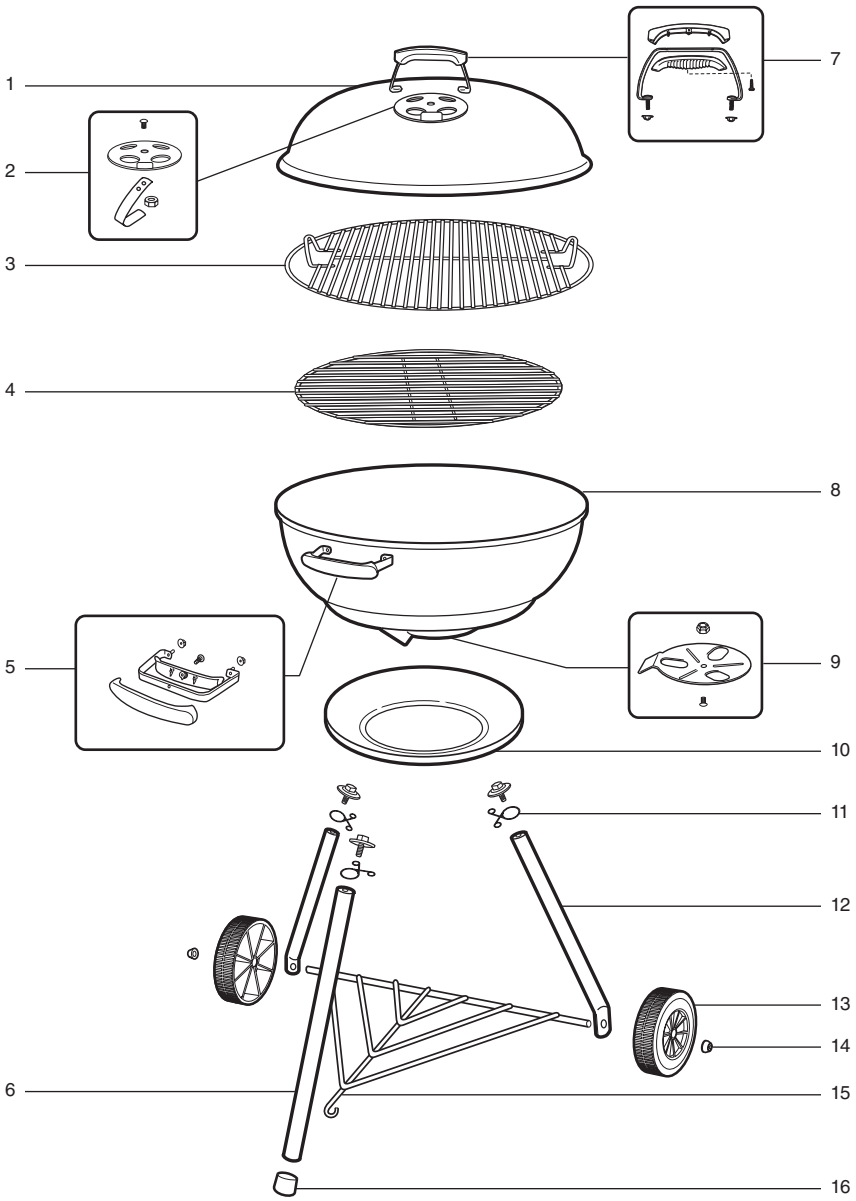
22½ inch  
(57 cm)



54236\_081611

# EXPLODED VIEW

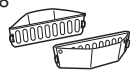
Compact Kettle Charcoal Grill\_S.HEM 082211



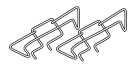
17



18



19



## EXPLODED VIEW LIST

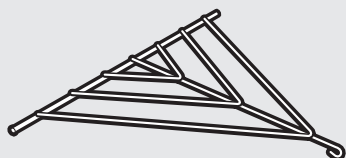
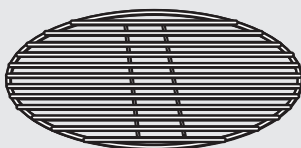
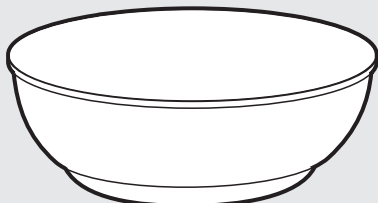
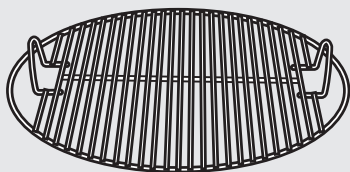
- |   |                         |
|---|-------------------------|
| 1. Lid                                  | 9. Bowl Damper Assembly |
| 2. Lid Damper Assembly and Hook         | 10. Ash Catcher         |
| 3. Cooking Grate                        | 11. Ash Catcher Clip    |
| 4. Charcoal Grate                       | 12. Wheel Leg           |
| 5. Bowl Handle Assembly and Heat Shield | 13. Wheel               |
| 6. Front Leg                            | 14. Hub Cap             |
| 7. Lid Handle Assembly                  | 15. Triangle            |
| 8. Bowl                                 | 16. Leg Cap             |

## MAY INCLUDE

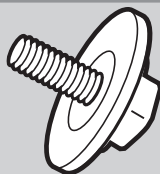
- 17. Hinged Cooking Grate
- 18. Charcoal Baskets
- 19. Wire Rails



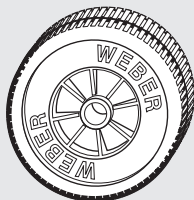
1-



3-



2-



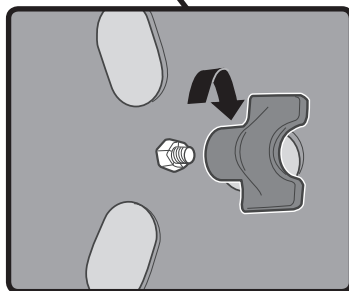
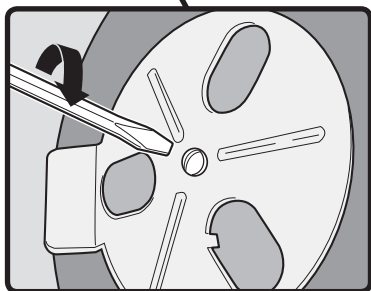
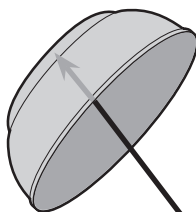
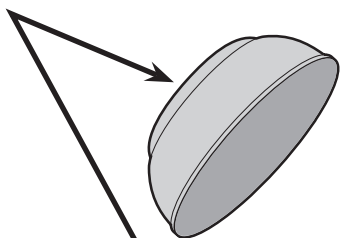
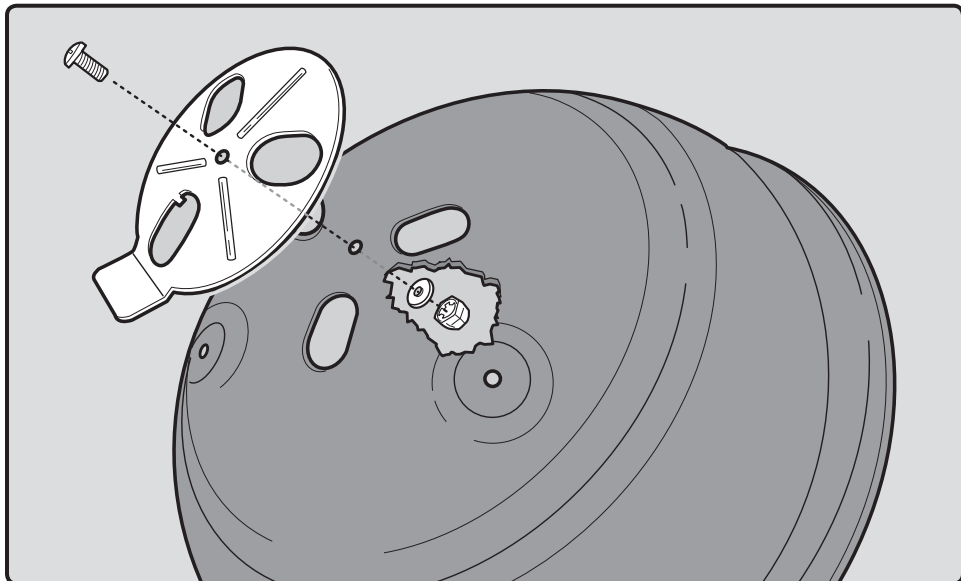
3-



4-



1



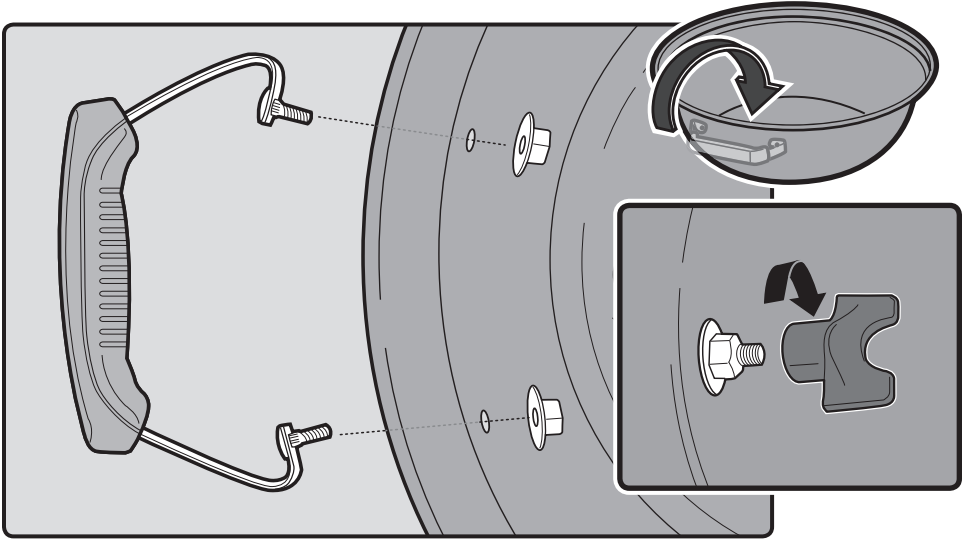
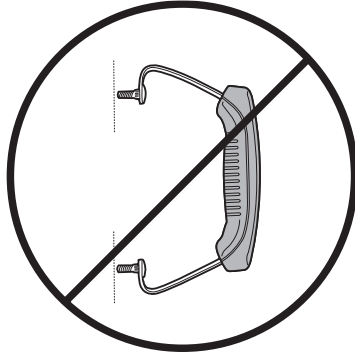
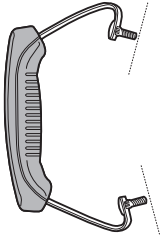
2



2-

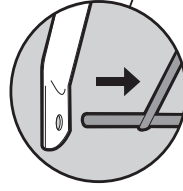
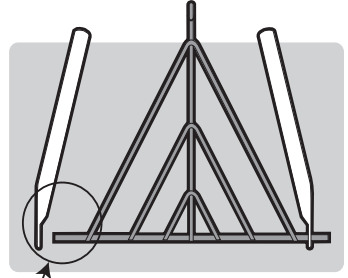
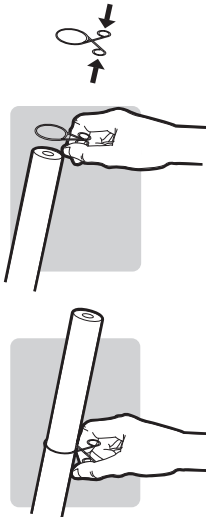
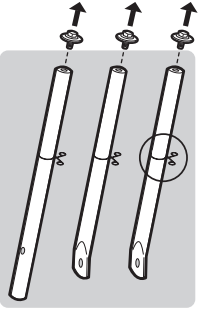


1-



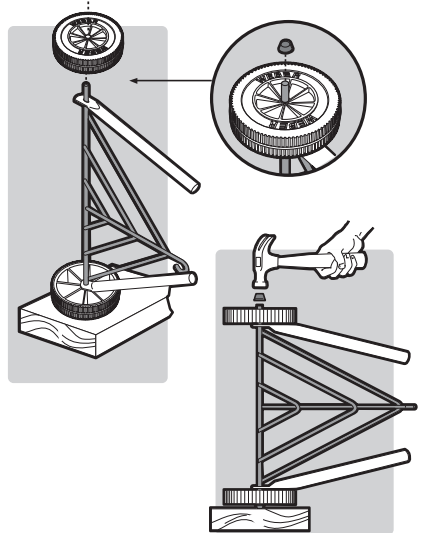
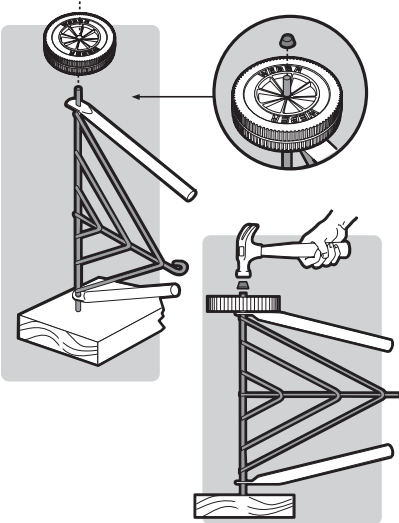
3

3- 



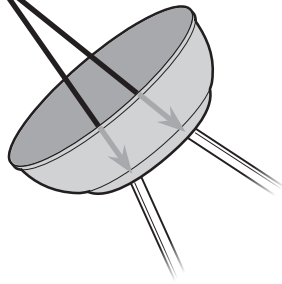
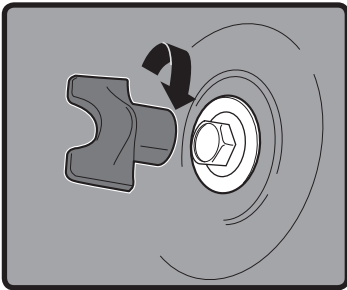
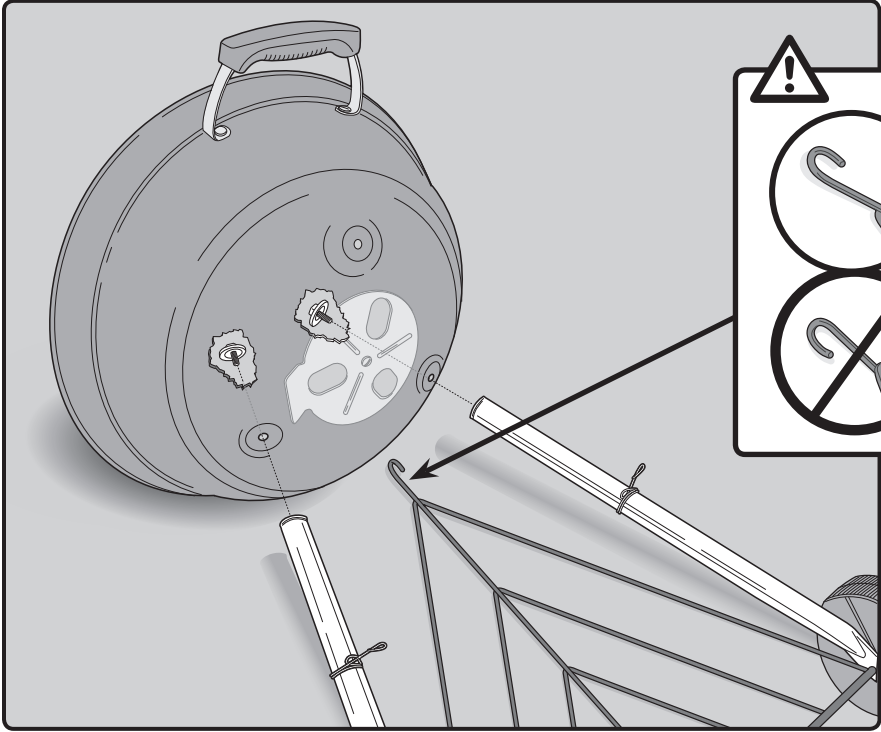
4

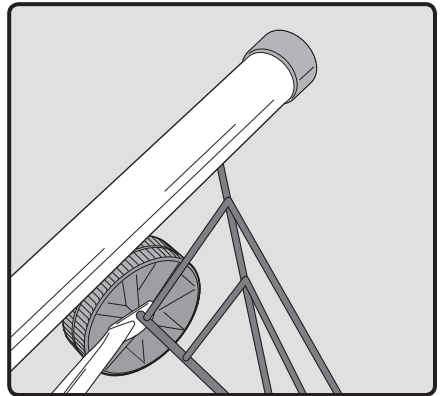
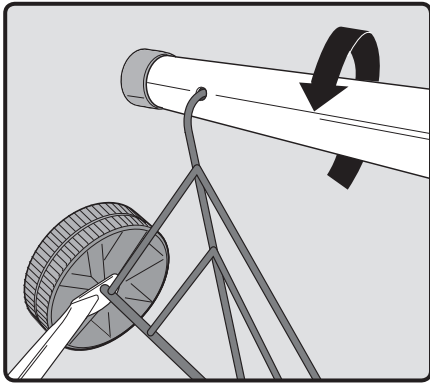
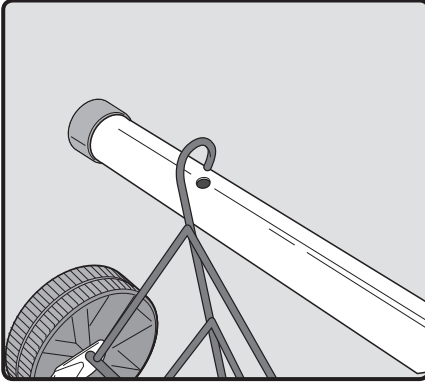
  2-  

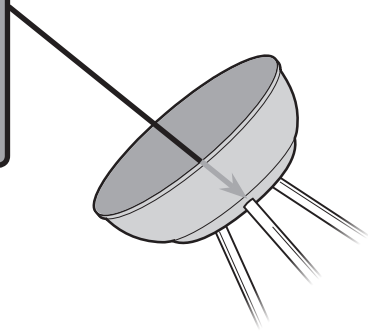
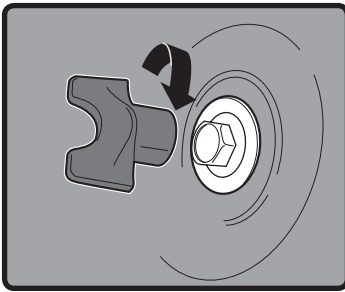
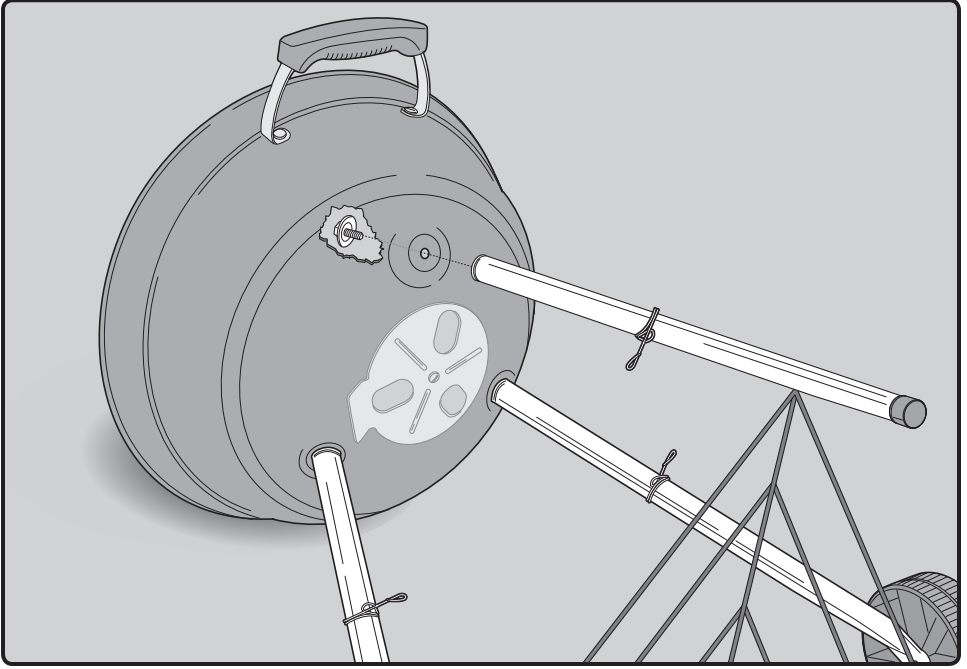




2-





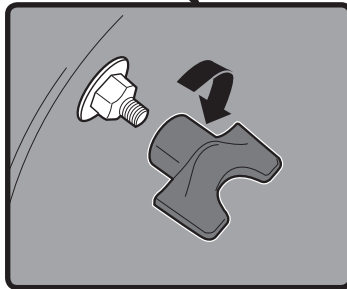
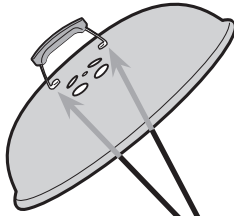
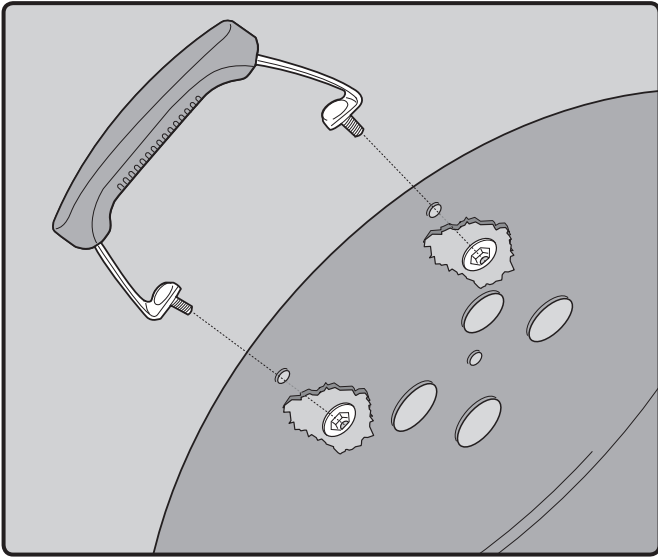


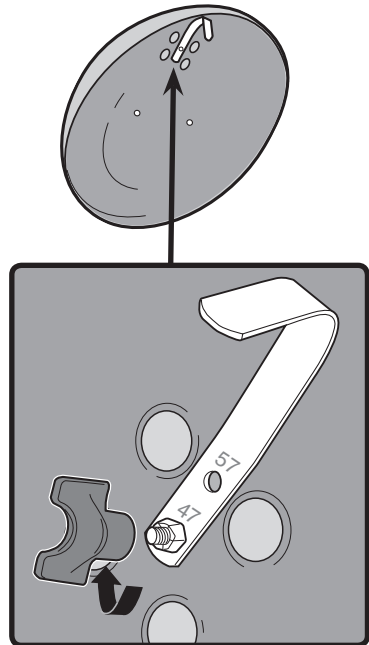
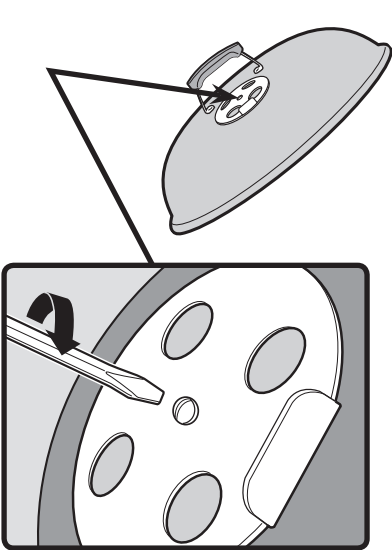
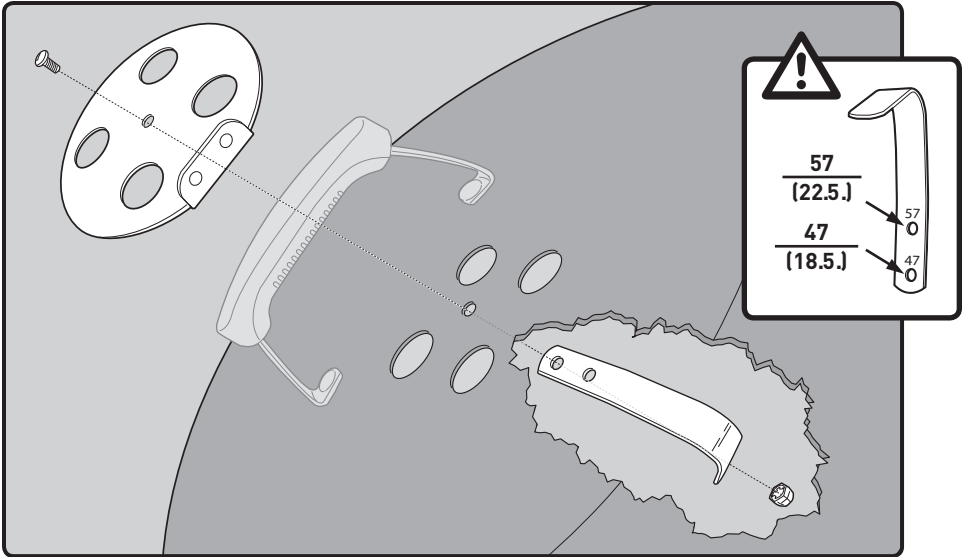


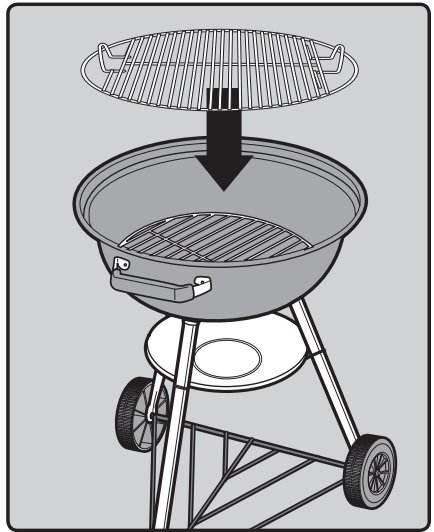
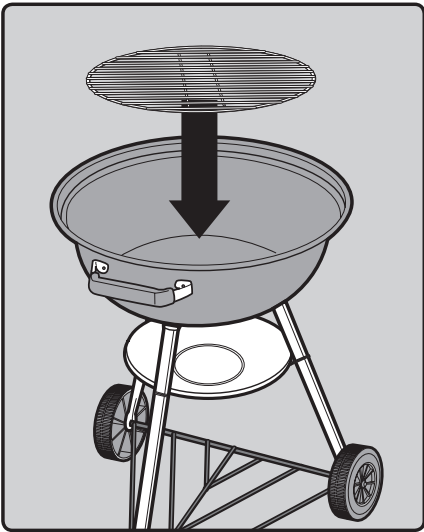
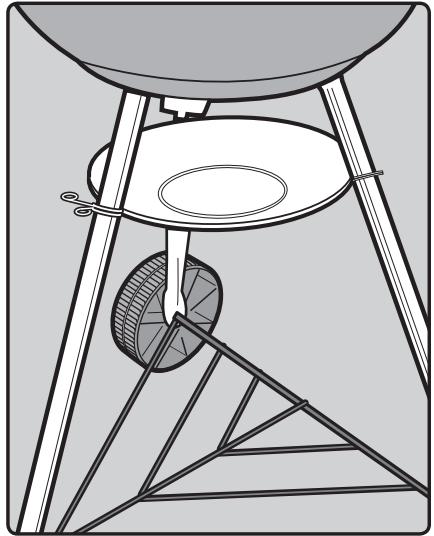
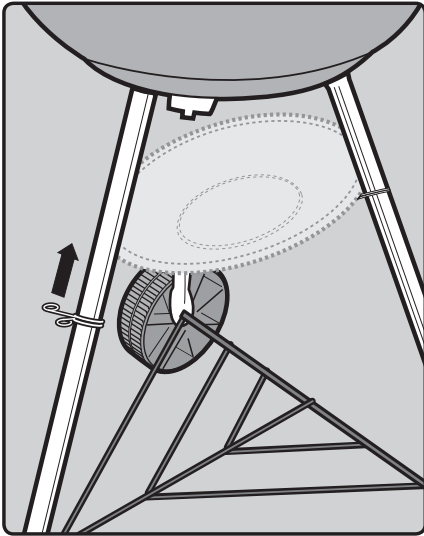
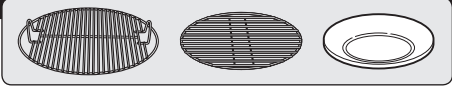
2-

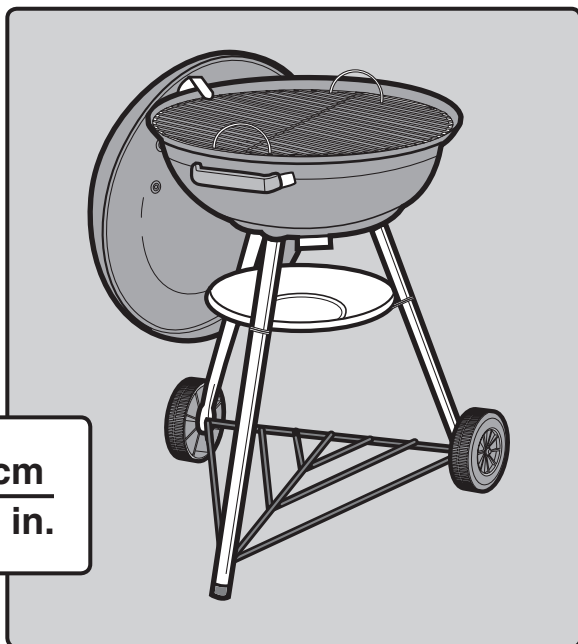


1-













WEBER-STEPHEN PRODUCTS LLC  
[www.weber.com](http://www.weber.com)<sup>®</sup>

© 2011 Designed and engineered by Weber-Stephen Products LLC  
a Delaware limited liability company, located at 200 East Daniels Road, Palatine, Illinois 60067 U.S.A.